

Scout horizontal &
Scout suspension
straight joining system
installation

Instruction page index:

Scout horizontal installation	2 - 4
Scout suspension straight joining system installation	5 - 5
Wiring diagram	6

Installation Instructions for Scout Horizontal

Models SCT-HR-XX

Please read all instructions prior to installation and keep for future reference!

1. Product to be installed by a qualified electrician.
2. Prior to installation ensure power is off at fuse box to prevent electrical shock.



7777 N. Merrimac Ave
Niles, IL 60714
T 224.333.6033
F 224.757.7557
info@luminii.com
www.luminii.com



Page 2 of 6

1

canopy detail

standoff hub measure

Note: More than one person is recommended for this installation.

Note: For Scout system models, reference fixture labels for positioning. On which fixture ends will connect to each other. Then join fixtures by referencing page 5.

1.1 Align one standoff hub to the junction box & measure the distance from standoff hub to the other hub. Then mark this location to the ceiling. Use canopy detail to slighting off center standoff hub.

2

ceiling

2.2

hole
anchor

2.3

spacer
cap
wood screw

standoff location marks
13/64" drill bit
drill

2.1 On the marked locations, make a hole using a 13/64" drill bit.

2.2 Insert the anchor into the hole and push completely in.

2.3 Insert wood screw through cap & washer and then tighten to secure into the anchors.

3

junction box

crossbar assembly

backplate
hex nut

canopy

3.1 Insert the power wires into the crossbar assembly, backplate, and hex nut.

3.2 Refer to the wiring diagram on page 6 and make all necessary connections from the power wires to the canopy driver wires.

3.3 Connect to ground in accordance with local electrical codes.

4

junction box

crossbar assembly
#8-32 screw

backplate
hex nut

4.1 Align the crossbar to the junction box holes and secure using the provided two #8-32 screw.

4.2 Slide the backplate up to the crossbar and secure by tightening the hex nut into the crossbar.

Installation Instructions for Scout Horizontal

Models SCT-HR-XX

Please read all instructions prior to installation and keep for future reference!

1. Product to be installed by a qualified electrician.
2. Prior to installation ensure power is off at fuse box to prevent electrical shock.



7777 N. Merrimac Ave
Niles, IL 60714
T 224.333.6033
F 224.757.7557
info@luminii.com
www.luminii.com



Page 3 of 6

5 Prior to installing fixture to power, coaxial cable must be prepared to go inside crossbar assembly. *If this step is skipped coaxial cable metal sleeve will tangle up.*

- 1 - while holding the coaxial cable end.
- 2 - Pull back about an 1-1/2" of the metal sleeve to expose the wires.
- 3 - Cut off 1-1/2" of the wires.
- 4 - Pull forward the metal sleeve and twist to make a firmer single wire.

6

- 6.1 While one person is holding the fixture, the other person can feed the coaxial cable end through the clear o-rings & strain relief on canopy.
- 6.2 Peel back the coaxial cable to expose the low voltage wires. Refer to the wiring diagram on page 6 and make all necessary connections from the coaxial cable to the canopy wires.

7

7.1 Insert the low voltage wire nut connections into the canopy. Align the canopy to the backplate and securing using the 4 Phillip screws.

8

- 8.1 Untangle each aircraft cable and insert into the threaded post until the cable stopper.
- 8.2 Push on the standoff hub tab and feed the aircraft cable into the standoff hub until necessary. Release tab to secure in place. *For the aircraft cable closest to the coaxial cable slide through the o-rings on the coaxial cable first.*

Installation Instructions for Scout Horizontal

Models SCT-HR-XX

Please read all instructions prior to installation and keep for future reference!

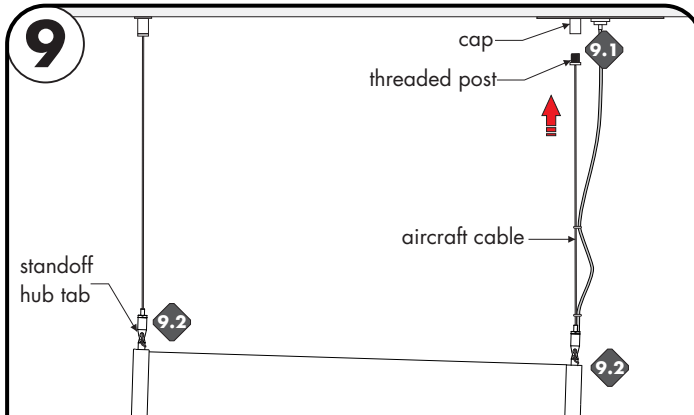
1. Product to be installed by a qualified electrician.
2. Prior to installation ensure power is off at fuse box to prevent electrical shock.



7777 N. Merrimac Ave
Niles, IL 60714
T 224.333.6033
F 224.757.7557
info@luminii.com
www.luminii.com



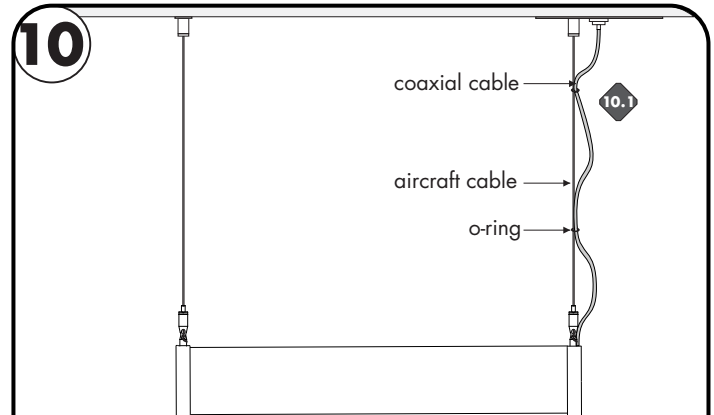
Page 4 of 6



9.1 Tighten each threaded post into a cap, one will be on the backplate and other(s) on the ceiling. If fixture not leveled, adjustments can be made by pushing on the standoff hub tab. Then either feed more cable into the standoff hub or pull out cable from the standoff hub and release to secure.

9.2 Cut off any extra aircraft cable from the standoff hub hole.

9.3 If joining fixtures (**Scout suspension joining System model only**), reference page 5.



10.1 If necessary make any final adjustments to the cables use the o-rings for a cleaner look.

Installation Instructions for Scout Horizontal

Models SCT-HR-XX

Please read all instructions prior to installation and keep for future reference!

1. Product to be installed by a qualified electrician.
2. Prior to installation ensure power is off at fuse box to prevent electrical shock.



7777 N. Merrimac Ave
Niles, IL 60714
T 224.333.6033
F 224.757.7557
info@luminii.com
www.luminii.com



Page 5 of 6

1 **Caution:** Steps below are only for the Scout Suspension Joining System. Do not try to join standard Scout suspension to each other, which would void the factory warranty.

Note: Prior to installing fixtures, reference the fixture labels to properly orientate each section.

1.1 Once all sections are installed & set to the proper hanging height from the ceiling. Carefully slide the male section end into the female section end, and secure by tightening the set screws on the top & bottom of the female section end. Repeat for any other sections that need to be joined.

Scout Suspension Joining System, Standard Layout

Over 2 fixtures: power cords located at every joiner and at 1 endcap

2 Section system: power cord located at the ends of the system

Installation Instructions for Scout Vertical

Models SCT-VRXX-XX

Please read all instructions prior to installation and keep for future reference!

1. Product to be installed by a qualified electrician.
2. Prior to installation ensure power is off at fuse box to prevent electrical shock.



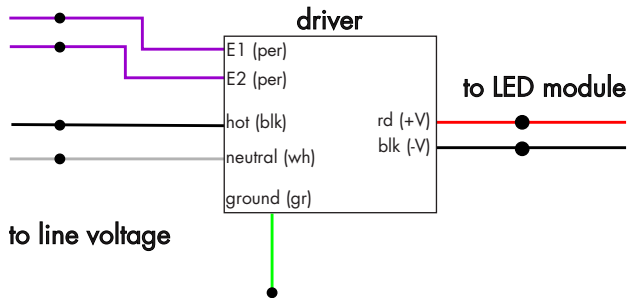
7777 N. Merrimac Ave
Niles, IL 60714
T 224.333.6033
F 224.757.7557
info@luminii.com
www.luminii.com



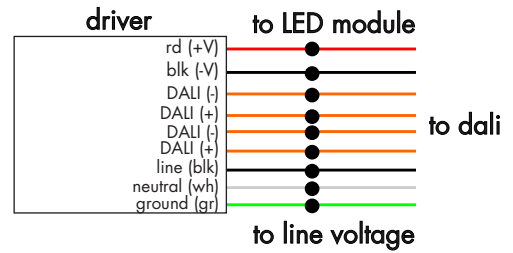
Wiring Diagrams

Lutron Ecosystem H-series wire power supply wiring

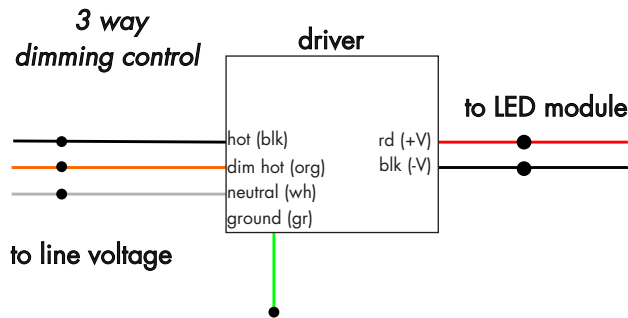
to ecosystem bus



eldoLED Dali power supply wiring



Lutron Ecosystem 3 wire power supply wiring



eldoLED 0-10V Dimming power supply wiring

